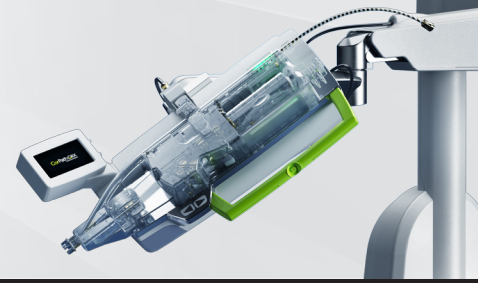
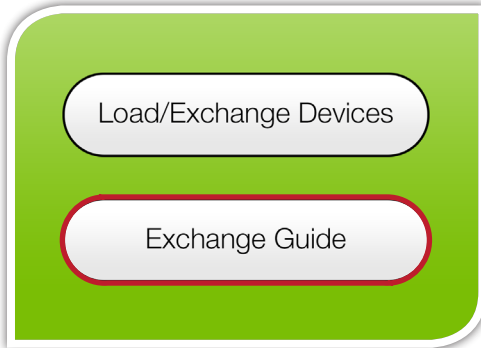


# CORPATH GRX GUIDE CATHETER EXCHANGE TECHNIQUE

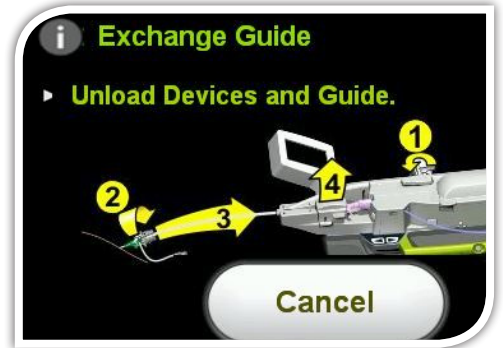


## REMOVE GUIDE

1. Press "Exchange Guide" on bedside touchscreen



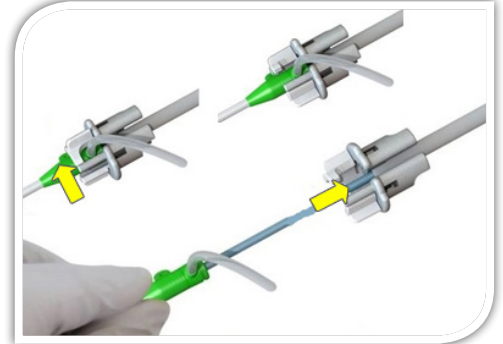
2. Bedside touchscreen will outline steps for guide catheter removal
3. If "Exchange Guide" was hit accidentally, hit "Cancel" and return to master screen



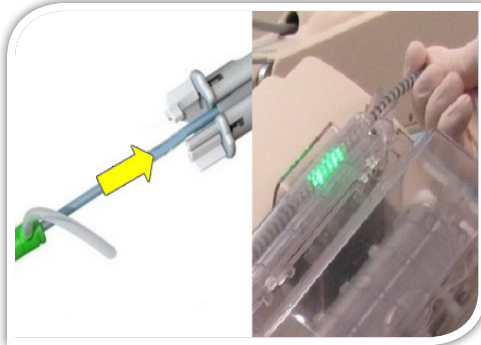
4. Turn track clamp counter-clockwise into the "unlocked" position



5. Rotate the proximal end of the retainer away from the user, ensuring that the port is no longer captured by the retainer

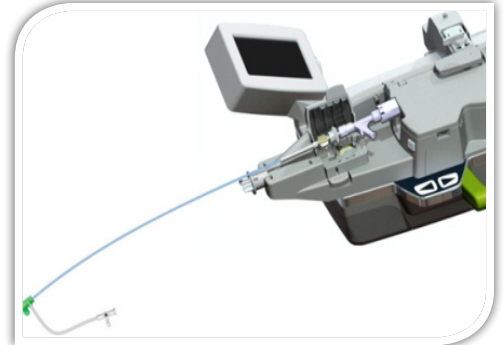


6. While holding sheath and guide catheter in place, pull guide Support Track back into Single-use Cassette



7. Pull back on proximal end of track as shown

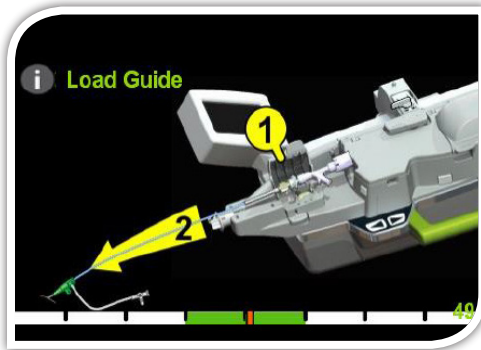
8. Open lid on Y-Connector holder and lift Y-Connector and guide catheter out of Single-use Cassette



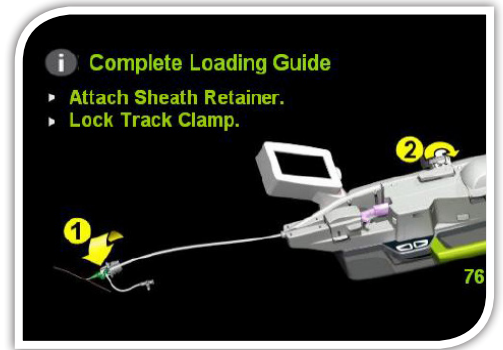
9. Care must be taken to not pull guide catheter from anatomy during removal
10. Manipulate guide catheter as needed or exchange manually

## LOADING GUIDE

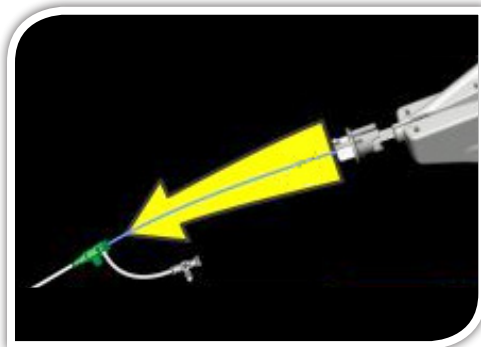
1. Bedside touchscreen will outline steps for guide catheter re-insertion



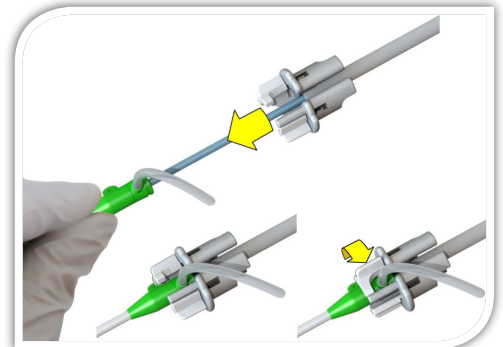
2. Position drive gear & Y-Connector in Y-Connector holder
3. Use fine tune controls (in red) to adjust Robotic Drive position if necessary rather than pulling guide catheter into position
4. Close gate on Y-Connector holder



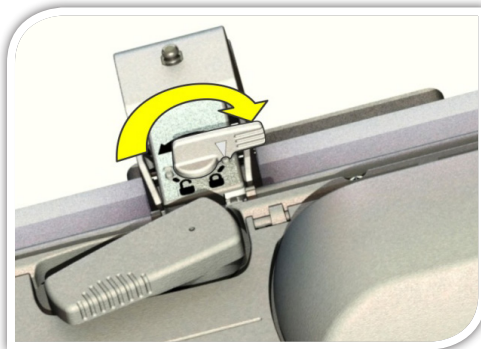
5. Secure sheath and guide catheter with left hand
6. Gently pull guide Support Track out from Cassette so that it completely encapsulates guide catheter



7. Attach guide Support Track to introducer sheath by locking the sheath retainer around the sheath port by rotating proximal end of the sheath retainer towards user



8. Turn lever on track clamp clockwise 180° into the "locked" position



9. "Load Devices" screen will prompt you to your next step

